

## PAUL MATTER

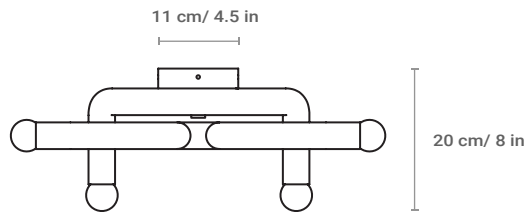
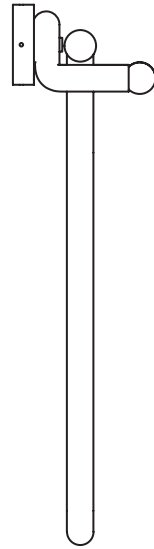
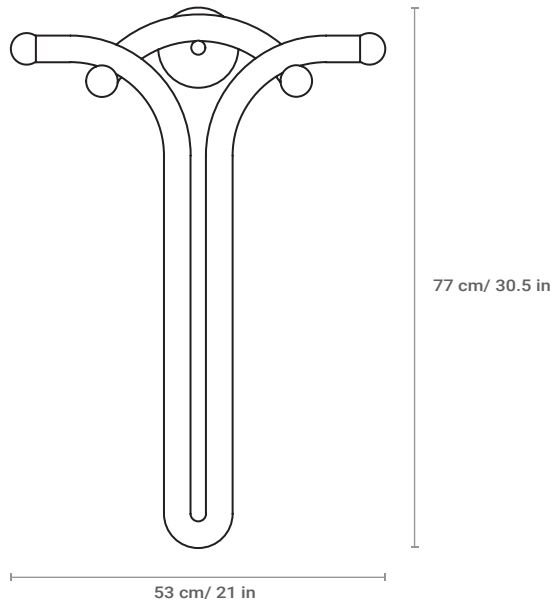
## GODDESS SCONCE

Technical specifications

The pair of sconce explore the relationship between two interlocked forms in perfect union and balance. A study of form and function that evokes the grace and strength of the contributor where one form simply rests on the other, implying counterweight quality. The electricity seamlessly flows within. Intended to be wall mounted together or individually.



# PAUL MATTER



# GODDESS SCONCE

## Technical specifications

|                       |   |
|-----------------------|---|
| <b>Type</b>           | Wall Sconce   |
| <b>Material</b>       | Brass and porcelain finish glass  |
| <b>Dimension</b>      | 77H 20W 53L (cm) / 30.5H 8W 21L (in)  |
| <b>Weight</b>         | 5 kg approx   |
| <b>Voltage</b>        | 220-240V/110-120V   |
| <b>Bulbs included</b> | Quantity x4 E14/E12 base CE/UL certified<br>4W 220Lm 2000 - 2800K Dimmable led bulb |
| <b>Bulb life</b>      | 15,000 Hours  |
| <b>Dimming</b>        | TRIAC   |
| <b>Bulb Warranty</b>  | 2 Years   |
| <b>Box</b>            | 20H 54W 81L (cm) / 7.8H 21.3W 32L (in) - 8kg approx                                 |
| <b>Lead-time</b>      | 8 weeks.<br>Finished and assembled by hand.   |

### Notes

- Dimensions may vary by up to one inch.
- Contact us at [info@paulmatter.com](mailto:info@paulmatter.com) for details on our list of recommended dimmers.

## PAUL MATTER

## GODDESS SCONCE

### Finishes

Paul Matter finishes are created in our studio, using age old techniques, by our team of artisans. Raw brass is polished to mirror like perfection or patinated to reveal the layers of the material. All finishes are unlacquered and hand sealed with a light layer of wax to allow it to age with time. All our products are completely handcrafted and finished by hand.



Buff brass



Brushed brass



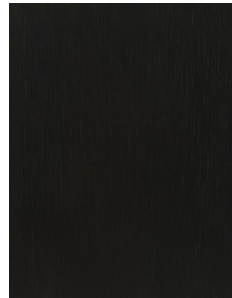
Aged brass



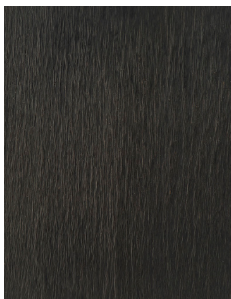
Dark aged brass



Textured aged brass



Burnt brass



Textured burnt brass



Buff steel



Brushed steel